




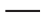
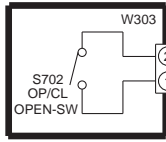


SCHEMATIC DIAGRAM-2

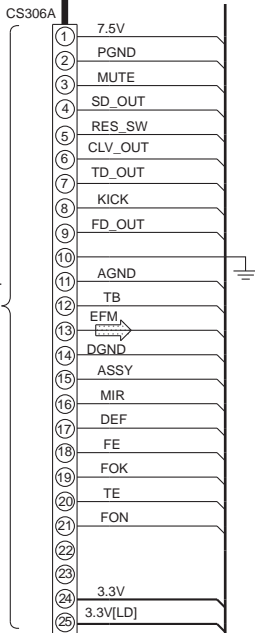
B MAIN CIRCUIT

-  : Main Signal line
-  : AM/FM Signal line
-  : CD Signal line
-  : Playback Signal line
-  : Rec Signal line
-  : +B Signal line



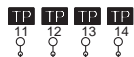
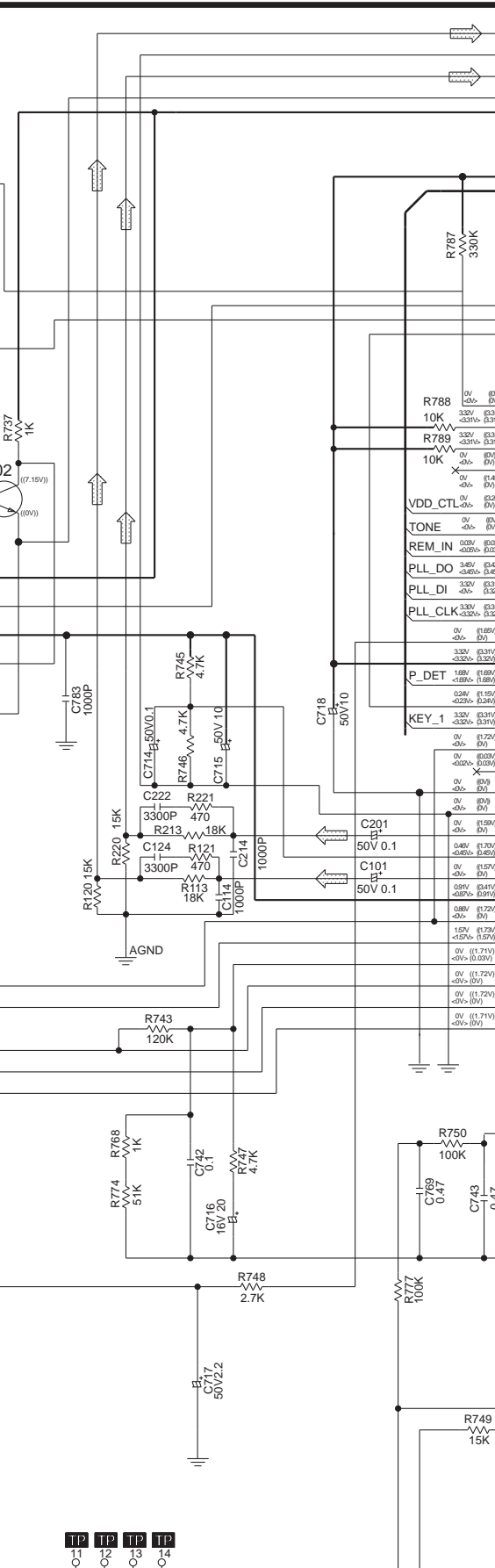
Q702
KTC3199GRTA
MUTING SWITCH

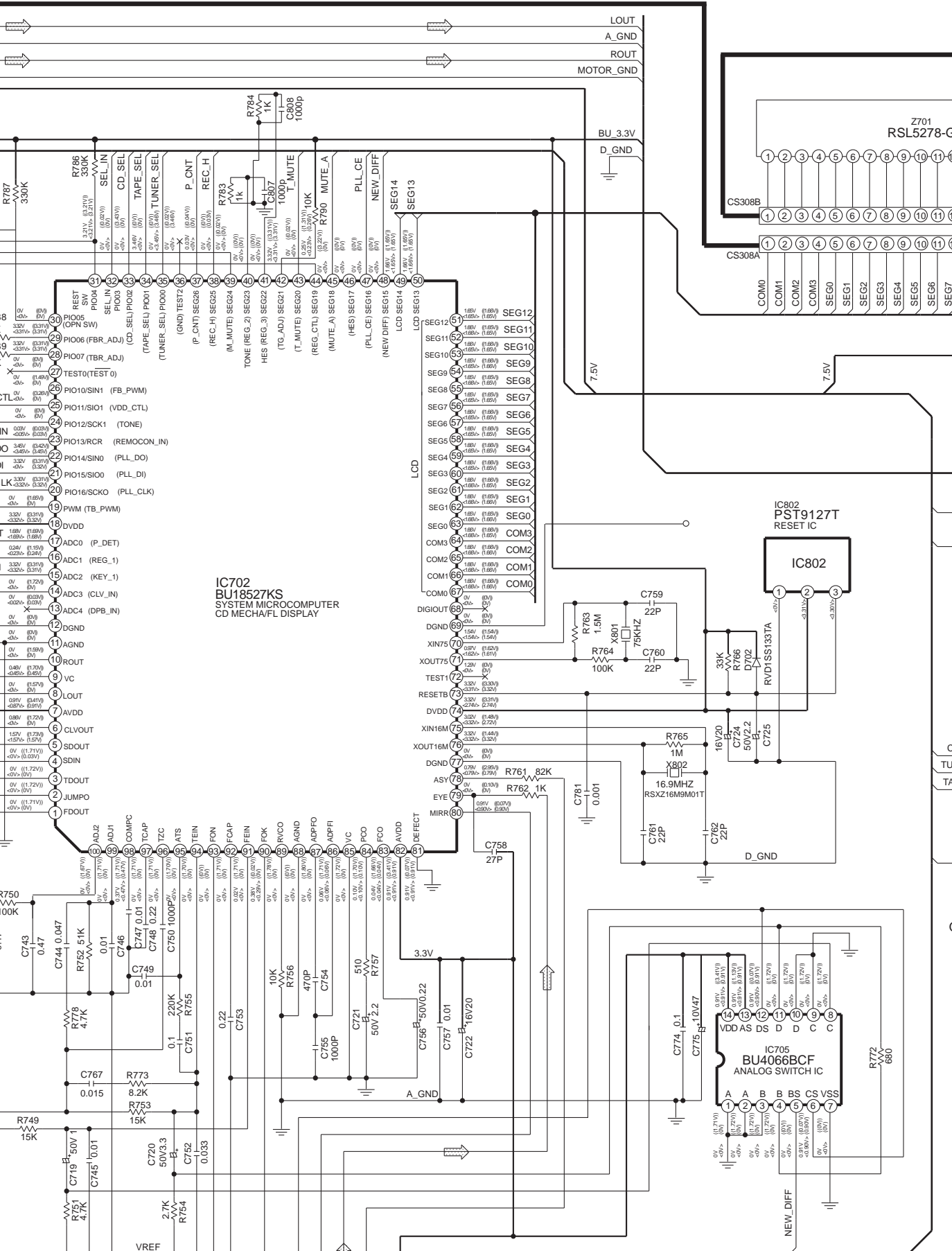
A
TO
CD SERVO CIRCUIT
(CS306B) ON
SCHEMATIC
DIAGRAM-1



- 7.5V
- RES_SW
- 3.3V
- MUTE
- PGND
- AGND
- CLV_OUT
- SD_OUT
- TD_OUT
- KICK
- FD_OUT
- TB

TE



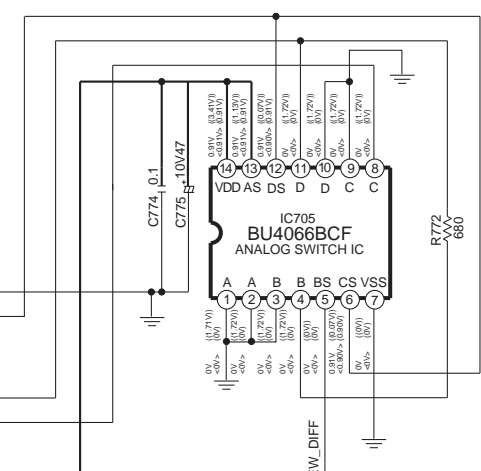
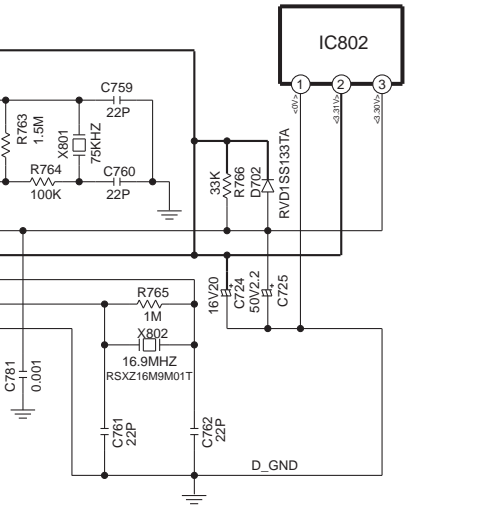
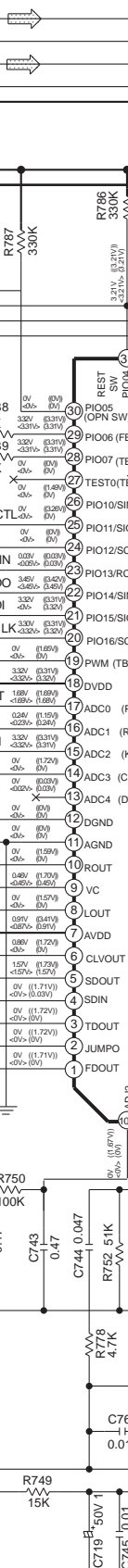


IC702
BU18527KS
 SYSTEM MICROCOMPUTER
 CD MECHA/FL DISPLAY

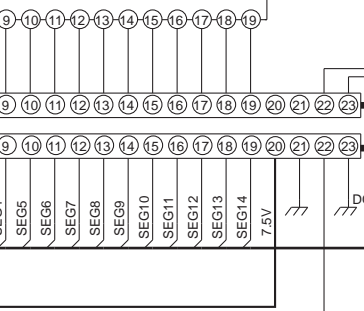
IC802
PST9127T
 RESET IC

IC705
BU4066BCF
 ANALOG SWITCH IC

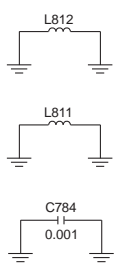
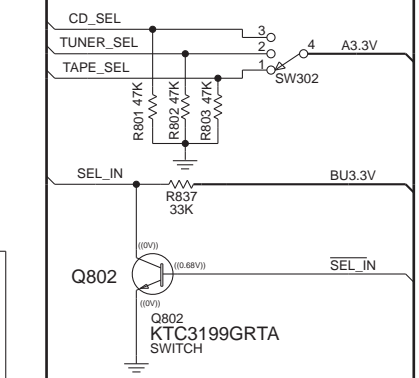
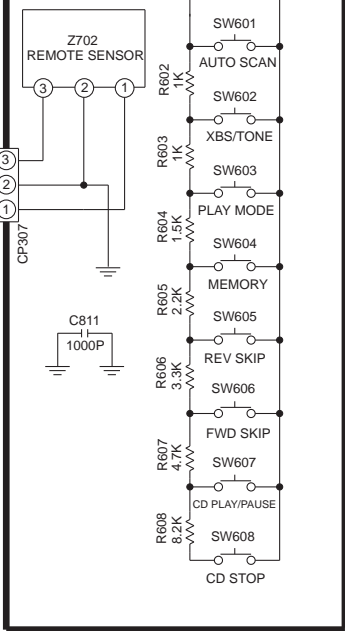
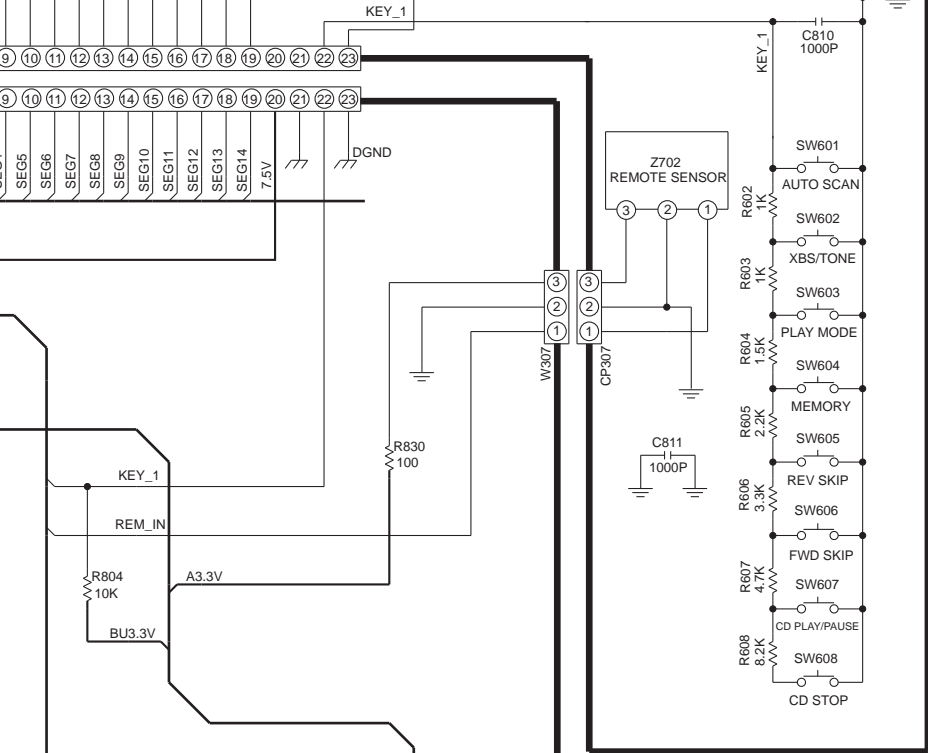
Z701
RSL5278-C

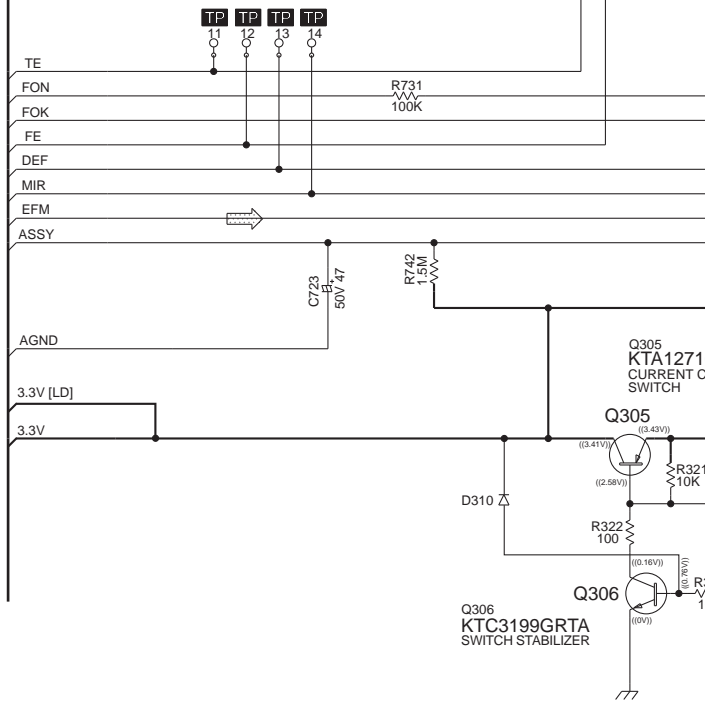


Z701
SL5278-G

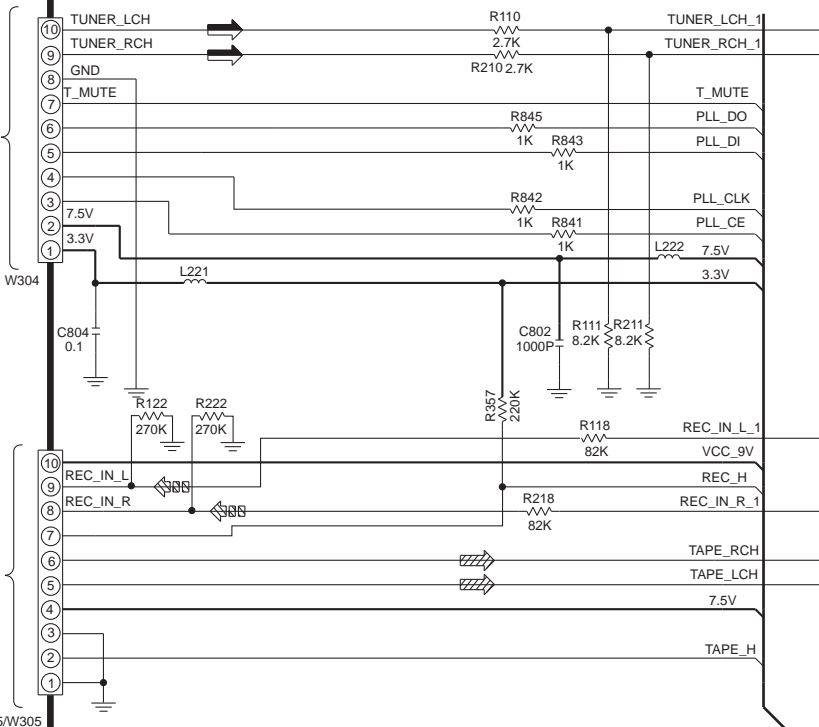


C PANEL CIRCUIT

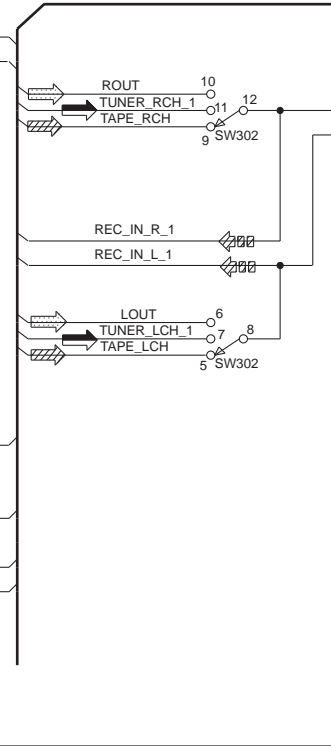




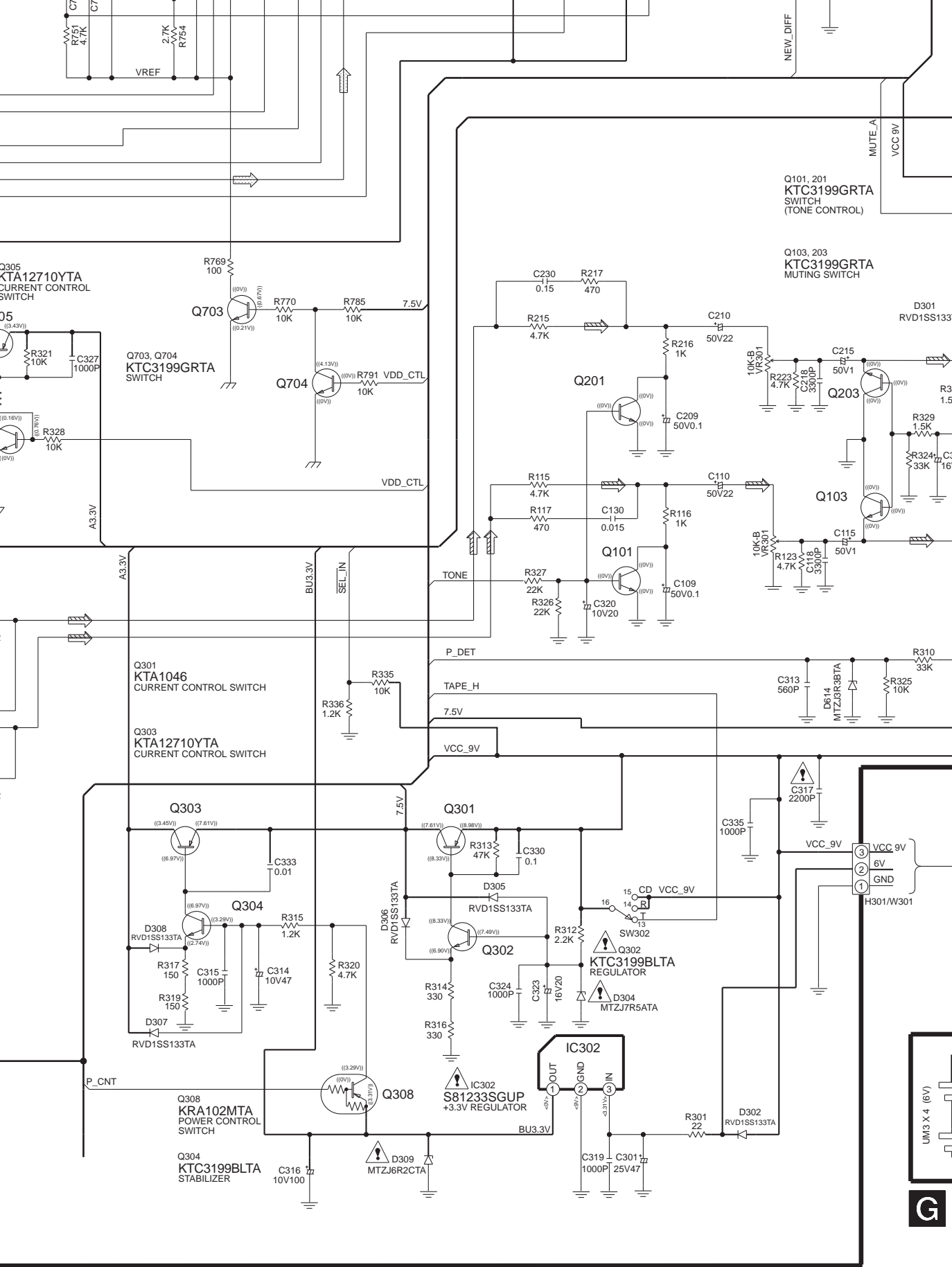
H
TO
TUNER CIRCUIT
(W304) ON
SCHEMATIC
DIAGRAM-4

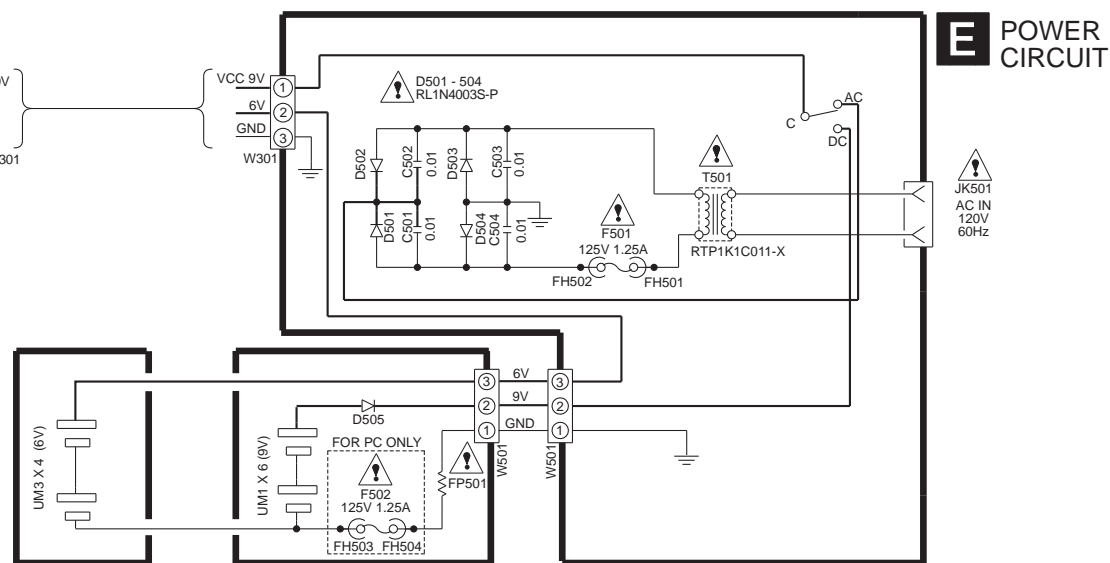
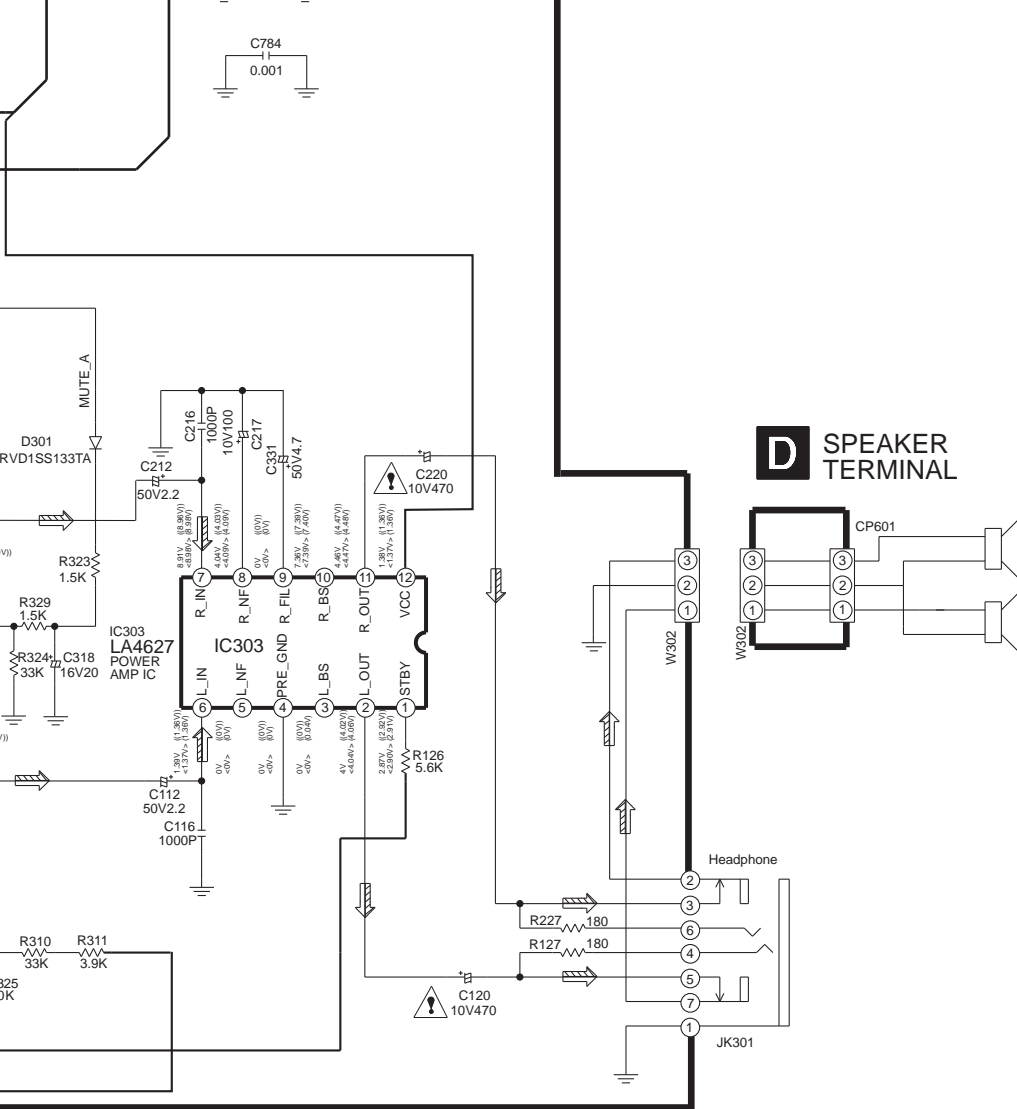


I
TO
DECK CIRCUIT
(W305) ON
SCHEMATIC
DIAGRAM-6



H305/W305





G BATTERY(2) CIRCUIT

F BATTERY(1) CIRCUIT